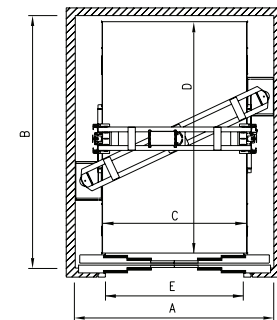
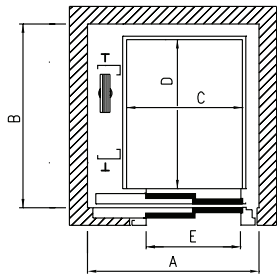


ascensores hidráulicos / hydraulic lifts

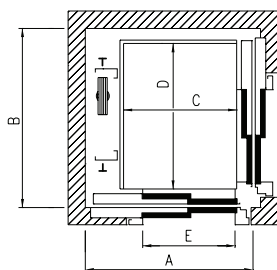
1 acceso / 1 access



(kg)	AxB (mm)		CxD (mm)	E (mm)	(m/s)
1 Cilindro / 1 Cylinder					
300	1450x1450	2:1	870x1010	700	0,63
375	1450x1550		860x1200		
450	1500x1600		1000x1250	800	
525	1600x1600		1100x1250		
600	1600x1700		1100x1400	900	
750	1650x1900		1100x1600		
900	1650x2200		1100x1900	1000	
1000	1650x2400		1100x2100		
1125	1750x2400		1200x2100	1100	
1250	1800x2500		1250x2150		
1425	1900x2650	1350x2300	1400x2450		
1600	1950x2800	1400x2450			
2 Cilindros / 2 Cylinders					
1600	2500x2400	1:1	1600x2100	1500	0,63
2000	2700x2650		1800x2250	1700	
2500	2900x2750		2000x2400	1800	
3000	3200x2750		2300x2400	2200	
3500	3400x2900		2500x2500	2300	
4000	3400x3200		2500x2800		



2 accesos 90° / 2 access 90°

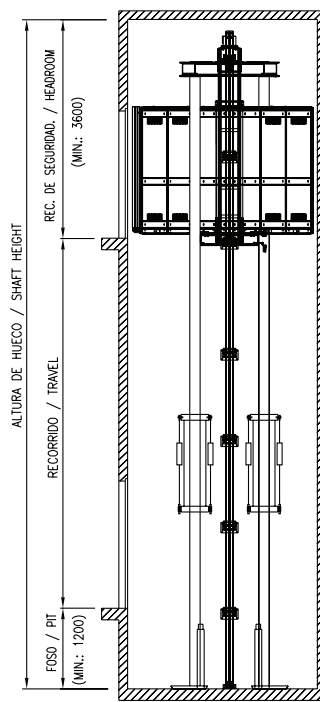
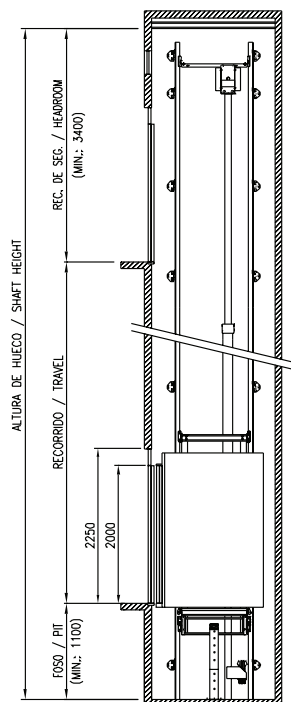
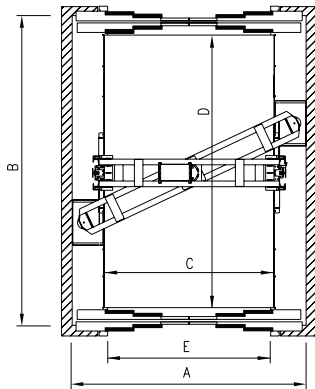
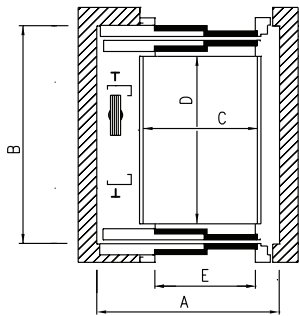


(kg)	AxB (mm)		CxD (mm)	E (mm)	(m/s)
1 Cilindro / 1 Cylinder					
300	1450x1450	2:1	900x900	700	0,63
375	1500x1450		1000x1000		
450	1550x1700		1000x1200	800	
525	1700x1650		1130x1150		
600	1750x1700		1200x1200	900	
750	1800x1800		1250x1400		
900	1850x2000		1300x1600	1000	
1000	1950x2000		1400x1600		
1125	1800x2550		1200x2100	1100	
1250	1850x2600		1250x2150		
1425	1950x2750	1350x2300	1400x2400		
1600	2000x2850	1400x2400			





2 accesos 180° / 2 access 180°



(kg)	AxB (mm)		CxD (mm)	E (mm)	(m/s)		
1 Cilindro / 1 Cylinder							
300	1300x1450	2:1	800x1000	700	0,63		
375	1500x1500		900x1100				
450	1500x1650		1000x1200				
525	1600x1650		1100x1200	800			
600	1600x1800		1100x1400				
750	1650x2050		1100x1600	900			
900	1650x2300		1100x1850				
1000	1650x2500		1100x2050				
1125	1750x2550		1200x2100	1000			
1250	1750x2600		1250x2150				
1425	1850x2750		1350x2300	1100			
1600	1900x2850		1400x2450				
2 Cilindros / 2 Cylinders							
1600	2500x2550		1:1	1600x2100		1500	0,40
2000	2700x2650	1800x2200		1700			
2500	2900x2750	2000x2300		1800			
3000	3200x2850	2300x2300		2200			
3500	3350x3050	2450x2500		2300			
4000	3400x3350	2500x2800					



ascensores hidráulicos / hydraulic lifts

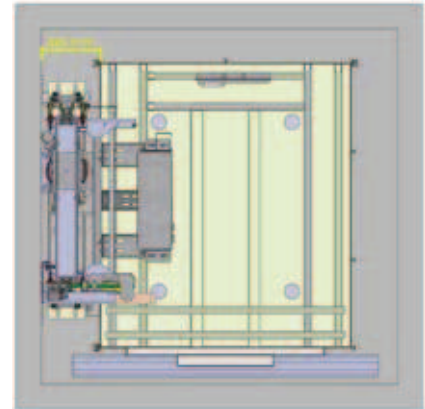


Hidráulico foso - huida reducida / *Hydraulic low pit - low headroom*

microHD

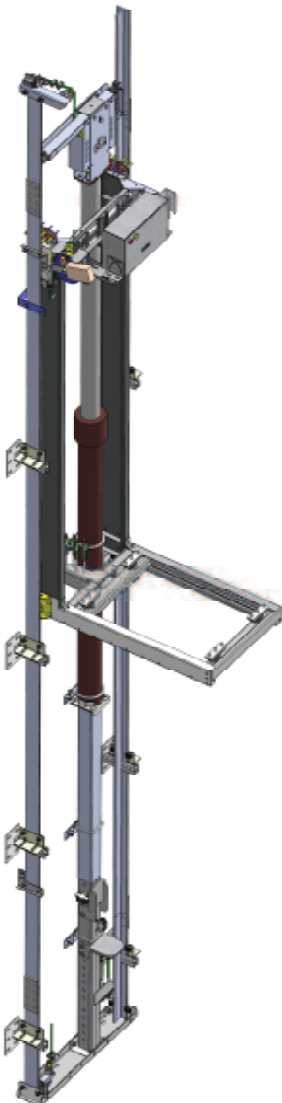
Especial rehabilitaciones y huecos reducidos
Special rehabilitation and small shafts

Foso / Pit (*) μ HD **300mm**
 Huida / Headroom 2700mm
 Mecánica / Mechanical 220mm
 Opción: 220 monofásico / Option 220 single phase

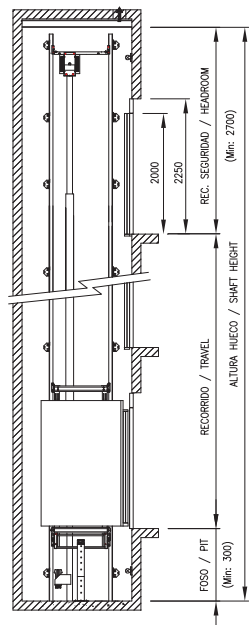


huecos standard / *standard shafts*

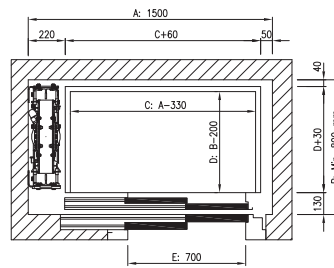
μ HD



(kg)	AxB (mm)		CxD (mm)	E (mm)		(m/s)	(A)	(CV) (HP)
320	1200x1300	2:1	800x1000	700	0°	0,63	14/19	8/10,5
480	1350x1500		1000x1250	800			19/22	10,5/13
630	consult		consult	consult			consult	consult
320	1200x1450		800x1000	700			14/19	8/10,5
480	1350x1650		1000x1250	800	180°		19/22	10,5/13
630	consult		consult	consult	consult		consult	
320	1300x1300		800x1000	700	90°		14/19	8/10,5
480	1450x1500		1000x1250	800			19/22	10,5/13
630	consult		consult	consult			consult	consult
320	1200x1300		800x1000	700			14/19	8/10,5
480	1350x1500		1000x1250	800	19/22		10,5/13	
630	consult		consult	consult	consult		consult	

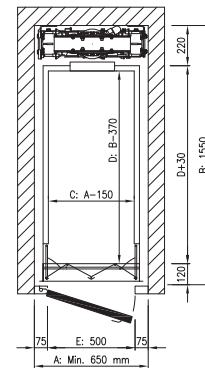


Huecos mínimos
Minimum shafts



Ancho hueco mínimo: 650 mm
Minimum shaft width

...Foso reducido / Huida reducida
...Low pit / Reduced headroom



Consulte adaptabilidad a cualquier hueco
Check adaptability to any shaft

